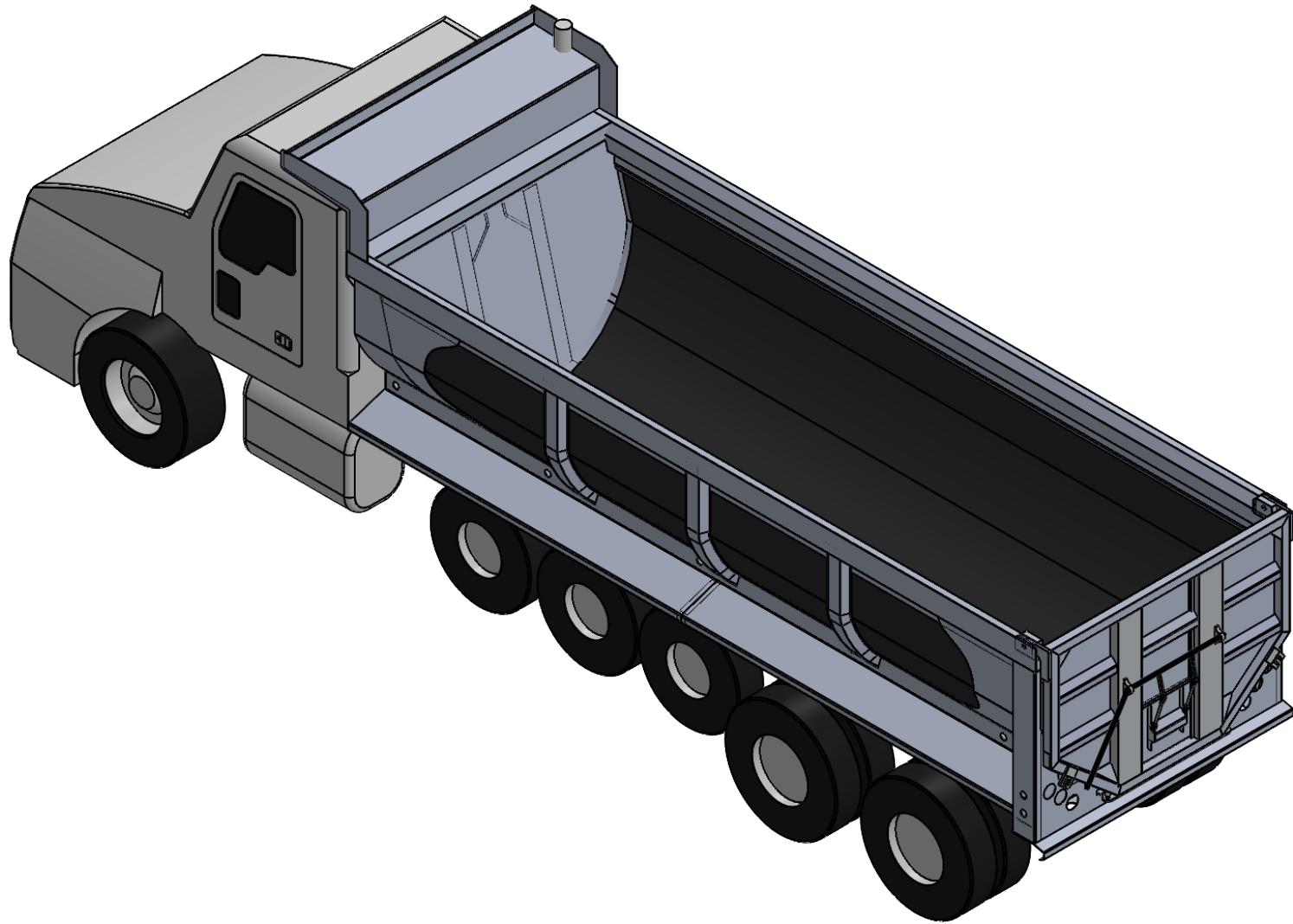
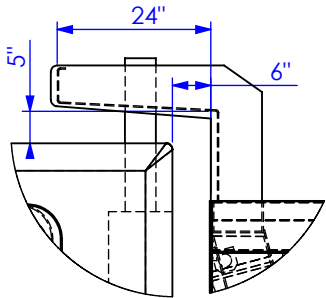


F
E
D
C
B
A

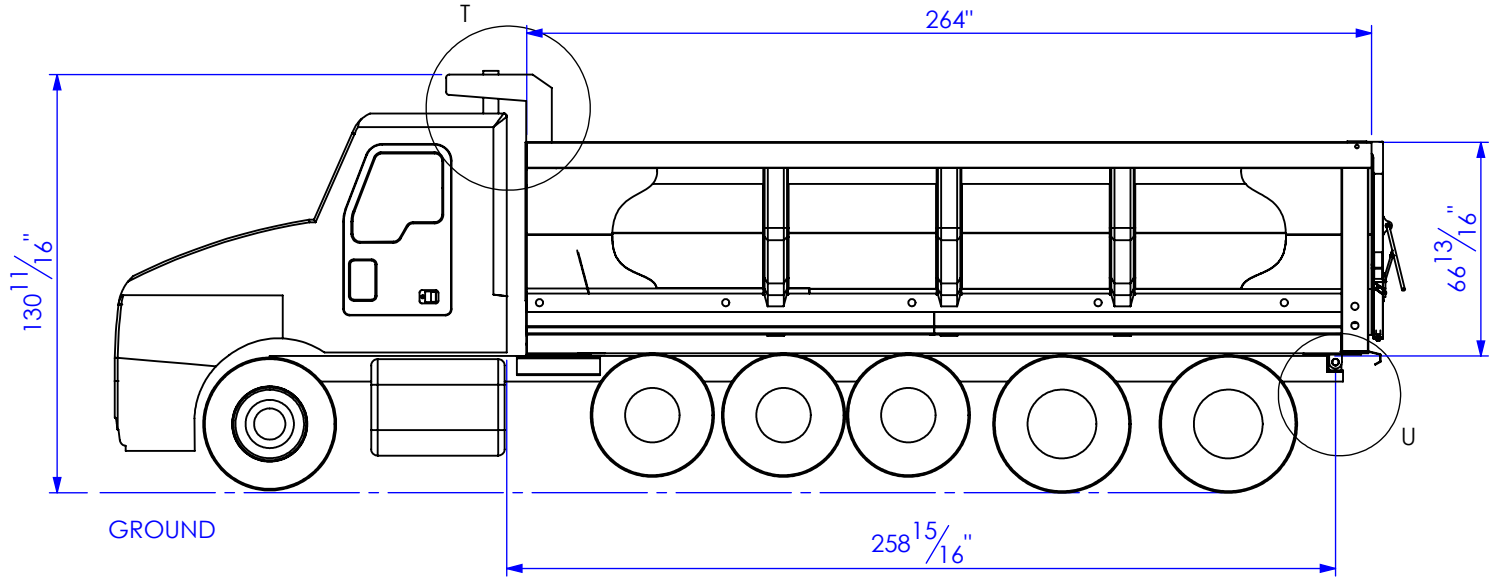


22FT - 60 SIDES
TOTAL VOLUME: 26.5 Yd3
TOTAL WEIGHT: 4,250 Lb +/-3%
(INCL, HOIST & BASE, REAR HINGE KIT, NO WET KIT)

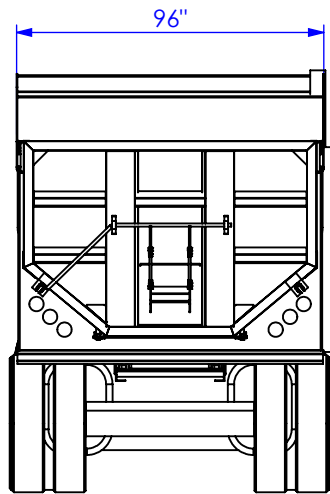
	PROPRIETARY AND CONFIDENTIAL <small>THE INFORMATION CONTAINED IN THIS DRAWING IS THE SOLE PROPERTY OF WINK TRAILER LLC. ANY REPRODUCTION IN PART OR AS A WHOLE WITHOUT THE WRITTEN PERMISSION OF WINK TRAILER LLC IS PROHIBITED.</small> <small>COPYRIGHTS JIMMY WINK - WINK TRAILER</small>	LAST REVISION 12/18/2016 REV 1	 THIRD ANGLE	DESIGNED AF INSPECTED JW AUTHORIZED JW	REVISION 0 DATE 01/02/2018	DIMENSIONS ARE IN (In) I.P.S. SCALE: 1:45 PROJECT: AP 96W 22FT 60In Sides- 6 Axles Truck ASSEMBLY DATASHEET - 6 Axles 96-22-60 Truck Body PART: ISOMETRIC	Sheet: 1 of 2
--	---	--------------------------------------	-----------------	--	-------------------------------	--	---------------



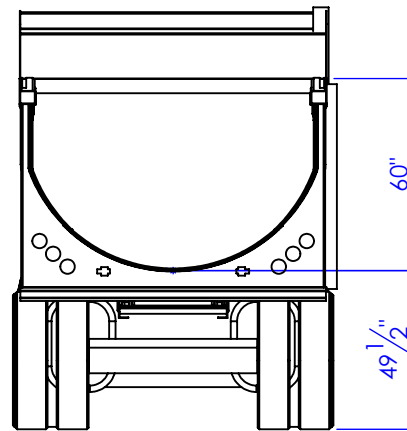
DETAIL T
SCALE 1 : 30



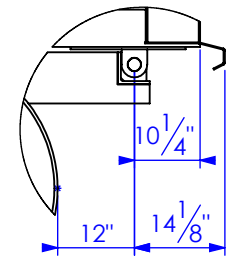
SIDE VIEW



REAR VIEW



REAR VIEW - NO TAILGATE



DETAIL U
SCALE 1 : 30

WINK	PROPRIETARY AND CONFIDENTIAL THE INFORMATION CONTAINED IN THIS DRAWING IS THE SOLE PROPERTY OF WINK TRAILER LLC. ANY REPRODUCTION IN PART OR AS A WHOLE WITHOUT THE WRITTEN PERMISSION OF WINK TRAILER LLC IS PROHIBITED. COPYRIGHTS JIMMY WINK - WINK TRAILER		LAST REVISION		DESIGNED AF	REVISION 0	DIMENSIONS ARE IN (In) I.P.S.	SCALE: 1:60
			12/18/2016		INSPECTED JW		PROJECT AP 96W 22FT 60In Sides- 6 Axles Truck	
			REV 1	THIRD ANGLE	AUTHORIZED JW	DATE 01/02/2018	ASSEMBLY DATASHEET - 6 Axles 96-22-60 Truck Body	
							PART: DETAIL	Sheet: 2 of 2