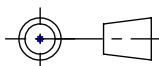
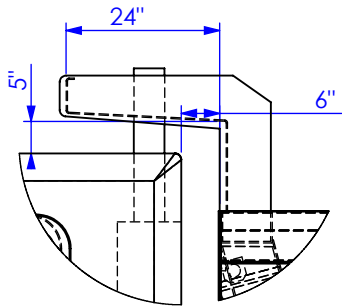
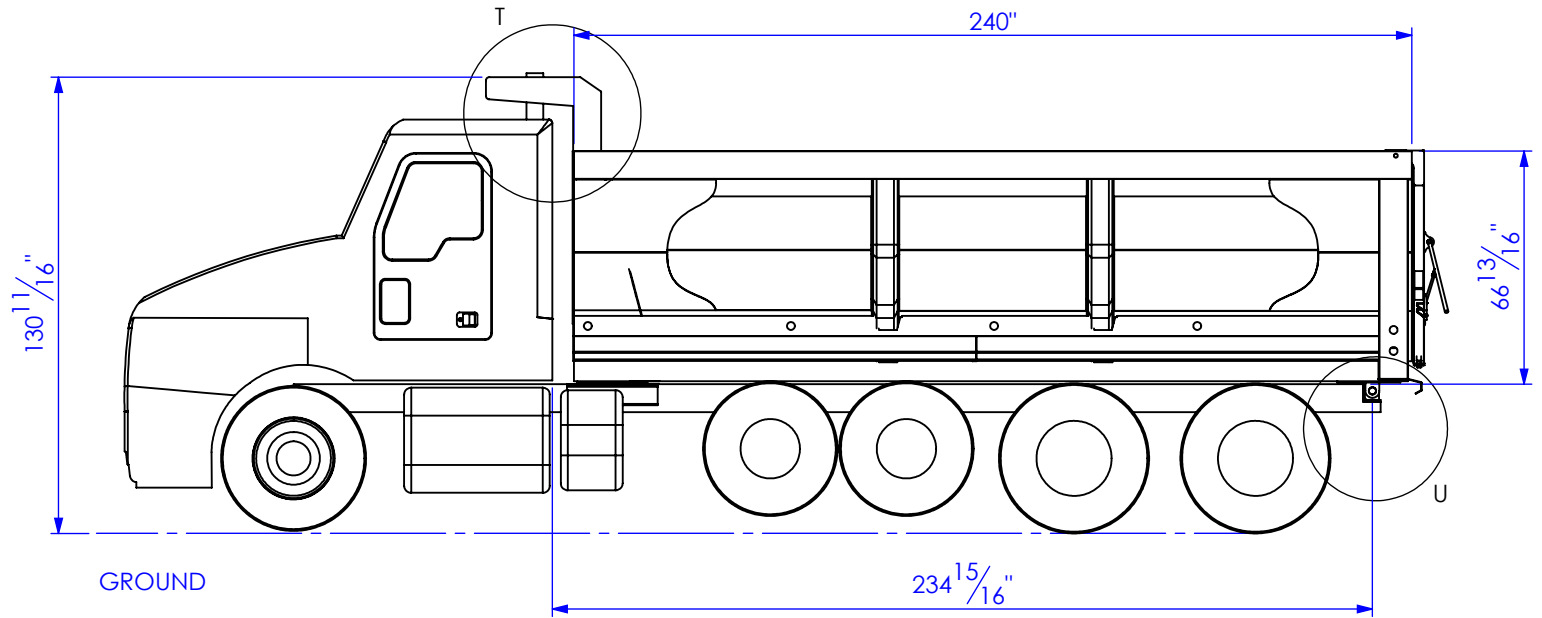


**20FT - 60 SIDES**  
**TOTAL VOLUME: 24.5 Yd3**  
**ESTIMATED WEIGHT: 3,950 Lb +/-3%**  
**(INCL, HOIST & BASE, REAR HINGE KIT, NO WET KIT)**

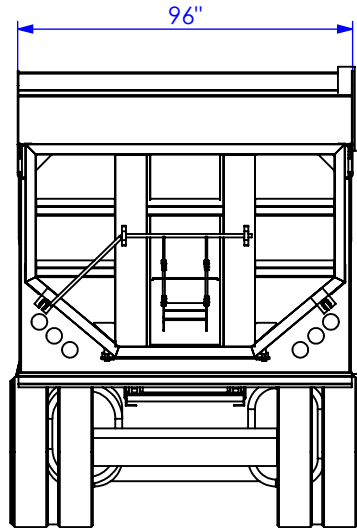
<b>WINK</b>	<b>PROPRIETARY AND CONFIDENTIAL</b> THE INFORMATION CONTAINED IN THIS DRAWING IS THE SOLE PROPERTY OF WINK TRAILER LLC. ANY REPRODUCTION IN PART OR AS A WHOLE WITHOUT THE WRITTEN PERMISSION OF WINK TRAILER LLC IS PROHIBITED. COPYRIGHTS JIMMY WINK - WINK TRAILER	LAST REVISION		DESIGNED AF	REVISION 0	DIMENSIONS ARE IN (In) I.P.S.      SCALE: 1:40
	12/18/2016	INSPECTED JW		PROJECT AP 96W 20FT 60In Sides- 5 Axles Truck		
	REV 1	THIRD ANGLE	AUTHORIZED JW	DATE 11/02/2018	ASSEMBLY DATASHEET - 5 Axles 96-20-60 Truck Body	
					<b>PART: ISOMETRIC</b>	Sheet: 1 of 2



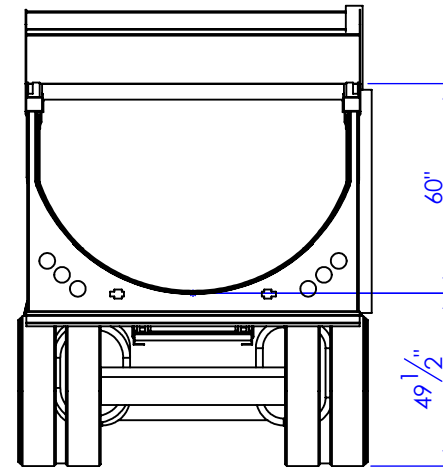
DETAIL T  
SCALE 1 : 30



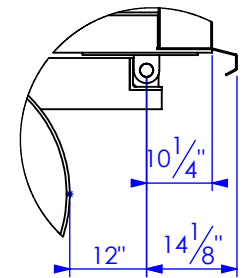
SIDE VIEW



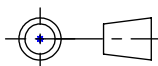
REAR VIEW



REAR VIEW - NO TAILGATE



DETAIL U  
SCALE 1 : 30

<b>WINK</b>	PROPRIETARY AND CONFIDENTIAL THE INFORMATION CONTAINED IN THIS DRAWING IS THE SOLE PROPERTY OF WINK TRAILER LLC. ANY REPRODUCTION IN PART OR AS A WHOLE WITHOUT THE WRITTEN PERMISSION OF WINK TRAILER LLC IS PROHIBITED. COPYRIGHTS JIMMY WINK - WINK TRAILER	LAST REVISION 12/18/2016 REV 1	 THIRD ANGLE	DESIGNED AF INSPECTED JW AUTHORIZED JW	REVISION 0 DATE 11/02/2018	DIMENSIONS ARE IN (In) I.P.S.      SCALE: 1:55 PROJECT: AP 96W 20FT 60In Sides- 5 Axles Truck ASSEMBLY DATASHEET - 5 Axles 96-20-60 Truck Body PART: DETAIL	Sheet: 2 of 2
-------------	--	--------------------------------------	--	--	-------------------------------------	---	---------------