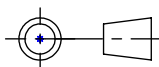
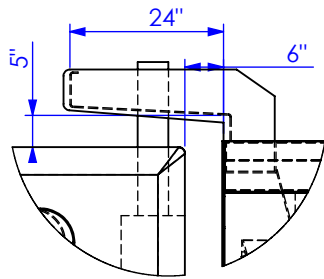
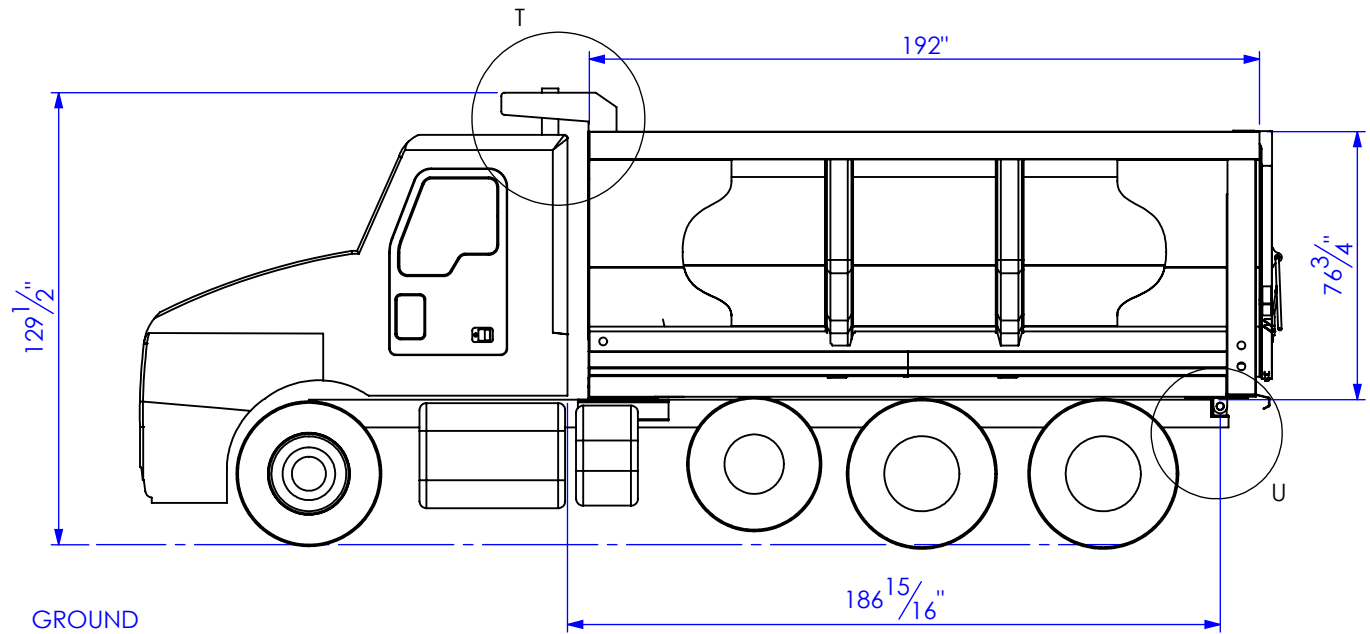


16FT - 70 SIDES
TOTAL VOLUME: 21.5 Yd3
ESTIMATED WEIGHT: 3,400 Lb +/-3%
(INCL, HOIST & BASE, REAR HINGE KIT, NO WET KIT)

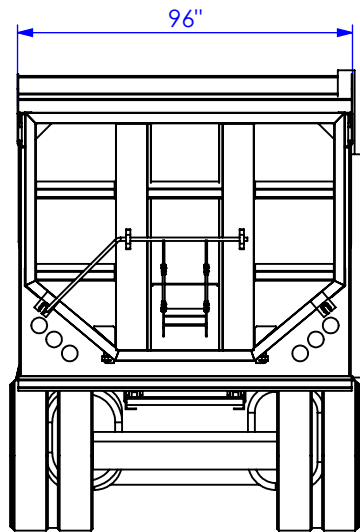
WINK	PROPRIETARY AND CONFIDENTIAL THE INFORMATION CONTAINED IN THIS DRAWING IS THE SOLE PROPERTY OF WINK TRAILER LLC. ANY REPRODUCTION IN PART OR AS A WHOLE WITHOUT THE WRITTEN PERMISSION OF WINK TRAILER LLC IS PROHIBITED. COPYRIGHTS JIMMY WINK - WINK TRAILER	LAST REVISION	 THIRD ANGLE	DESIGNED AF	REVISION 0	DIMENSIONS ARE IN (In) I.P.S.	SCALE: 1:35
	12/18/2016	INSPECTED JW		PROJECT AP 96W 16FT 70In Sides- 4 Axles Truck			
	REV 1	AUTHORIZED JW	DATE 11/02/2018	ASSEMBLY DATASHEET - 4 Axles 96-16-70 Truck Body			
			PART: ISOMETRICO	Sheet: 1 of 2			



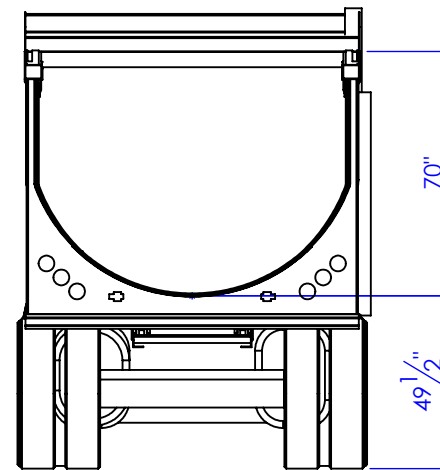
DETAIL T
SCALE 1 : 30



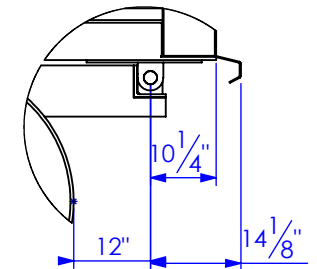
SIDE VIEW



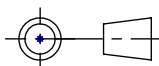
REAR VIEW



REAR VIEW - NO TAILGATE



DETAIL U
SCALE 1 : 30

WINK	PROPRIETARY AND CONFIDENTIAL THE INFORMATION CONTAINED IN THIS DRAWING IS THE SOLE PROPERTY OF WINK TRAILER LLC. ANY REPRODUCTION IN PART OR AS A WHOLE WITHOUT THE WRITTEN PERMISSION OF WINK TRAILER LLC IS PROHIBITED. COPYRIGHTS JIMMY WINK - WINK TRAILER	LAST REVISION 12/18/2016 REV 1	 THIRD ANGLE	DESIGNED AF INSPECTED JW AUTHORIZED JW	REVISION 0 DATE 11/02/2018	DIMENSIONS ARE IN (In) I.P.S. SCALE: 1:55 PROJECT: AP 96W 16FT 70In Sides- 4 Axles Truck ASSEMBLY DATASHEET - 4 Axles 96-16-70 Truck Body PART: DETAIL	Sheet: 2 of 2
-------------	---	--------------------------------------	--	--	-------------------------------	---	---------------