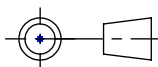
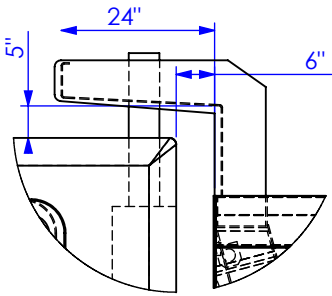
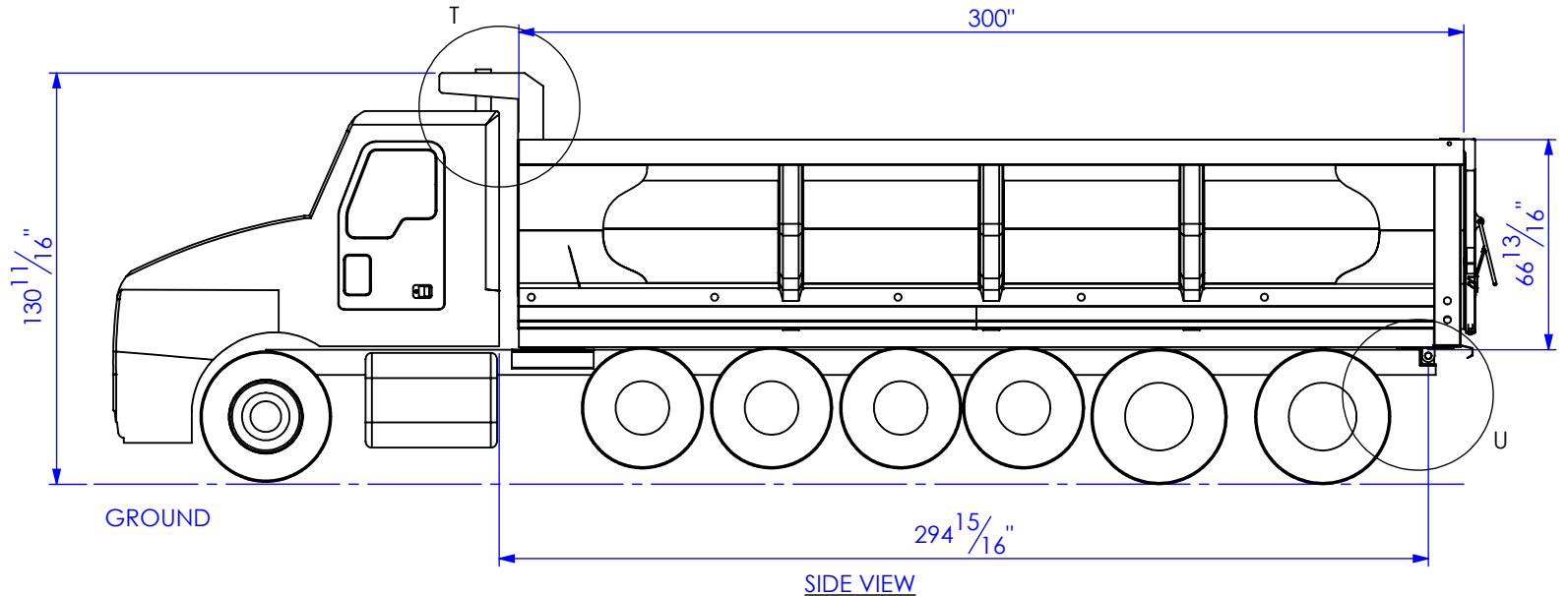


25FT - 60 SIDES
TOTAL VOLUME: 30 Yd³
TOTAL WEIGHT: 4,450 Lb +/-3%
(INCL, HOIST & BASE, REAR HINGE KIT, NO WET KIT)

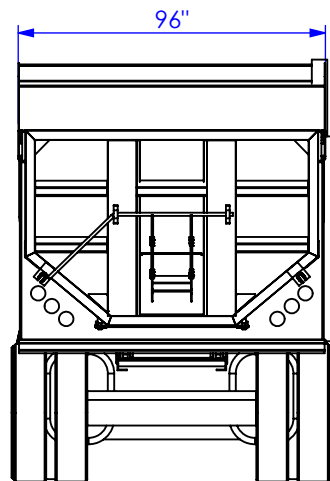
WINK	PROPRIETARY AND CONFIDENTIAL THE INFORMATION CONTAINED IN THIS DRAWING IS THE SOLE PROPERTY OF WINK TRAILER LLC. ANY REPRODUCTION IN PART OR AS A WHOLE WITHOUT THE WRITTEN PERMISSION OF WINK TRAILER LLC IS PROHIBITED. COPYRIGHTS JIMMY WINK - WINK TRAILER	LAST REVISION 12/18/2016	 THIRD ANGLE	DESIGNED AF INSPECTED JW AUTHORIZED JW	REVISION 0 DATE 01/02/2018	DIMENSIONS ARE IN (In) I.P.S. SCALE: 1:45 <u>PROJECT:</u> AP 96W 25FT 60In Sides- 7 Axles Truck <u>ASSEMBLY DATASHEET</u> - 7 Axles 96-25-60 Truck Body <u>PART: ISOMETRIC</u>
	REV 1					
						Sheet: 1 of 2



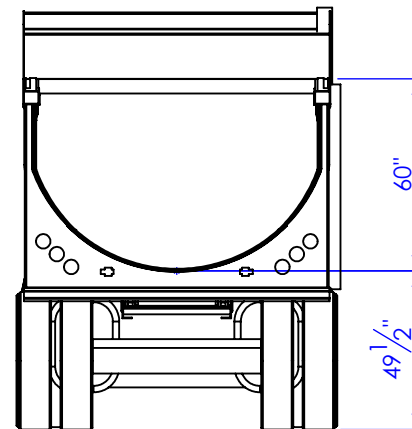
DETAIL T
SCALE 1 : 30



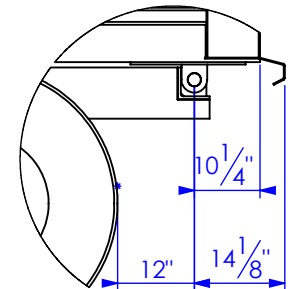
SIDE VIEW



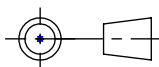
REAR VIEW



REAR VIEW - NO TAILGATE



DETAIL U
SCALE 1 : 30

WINK	PROPRIETARY AND CONFIDENTIAL THE INFORMATION CONTAINED IN THIS DRAWING IS THE SOLE PROPERTY OF WINK TRAILER LLC. ANY REPRODUCTION IN PART OR AS A WHOLE WITHOUT THE WRITTEN PERMISSION OF WINK TRAILER LLC IS PROHIBITED. COPYRIGHTS JIMMY WINK - WINK TRAILER	LAST REVISION 12/18/2016 REV 1	 THIRD ANGLE	DESIGNED AF INSPECTED JW AUTHORIZED JW	REVISION 0 DATE 01/02/2018	DIMENSIONS ARE IN (In) I.P.S. SCALE: 1:60 PROJECT: AP 96W 25FT 60In Sides- 7 Axles Truck ASSEMBLY DATASHEET - 7 Axles 96-25-60 Truck Body PART: DETAIL	Sheet: 2 of 2
-------------	--	--------------------------------------	--	--	-------------------------------------	---	---------------