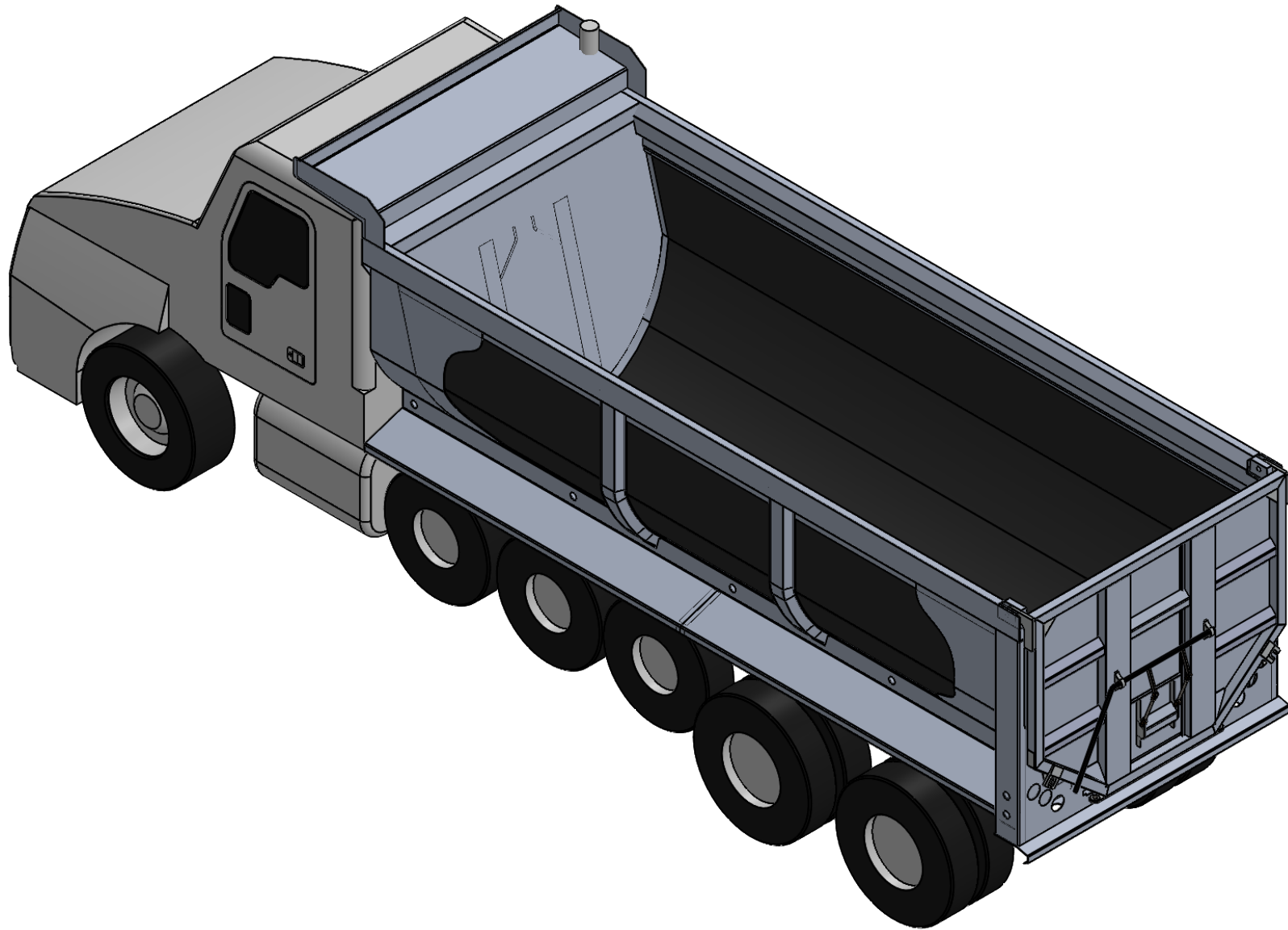
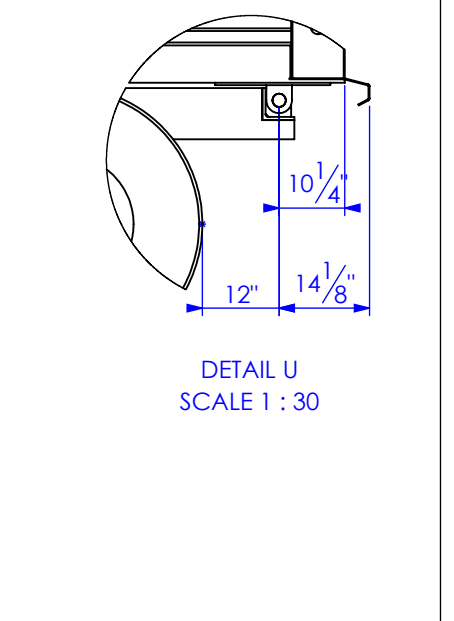
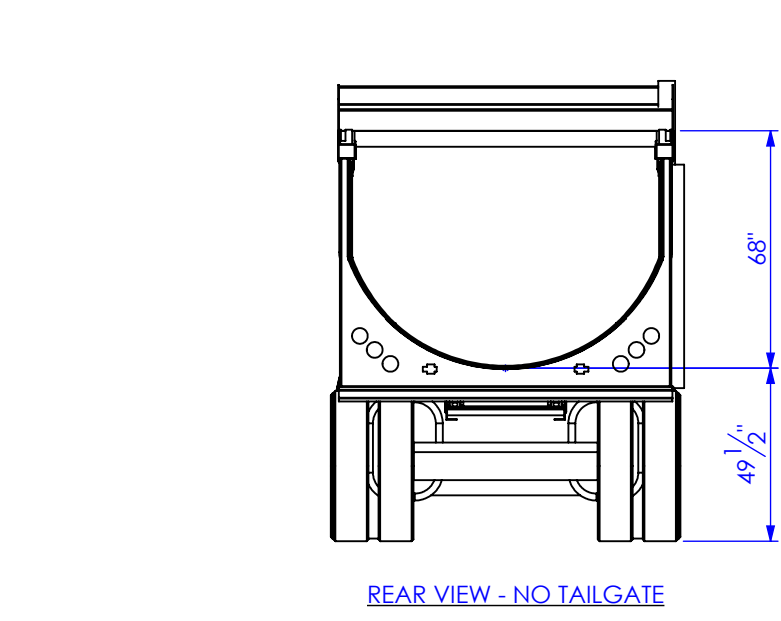
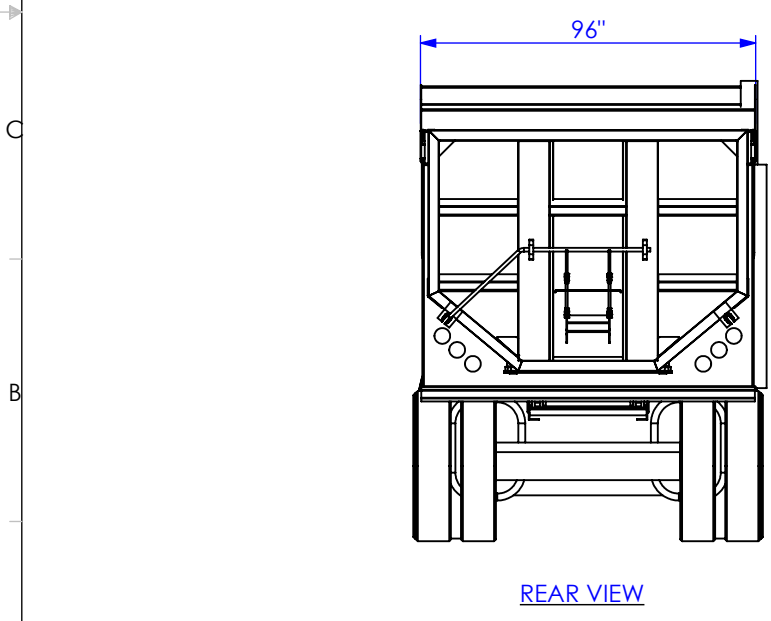
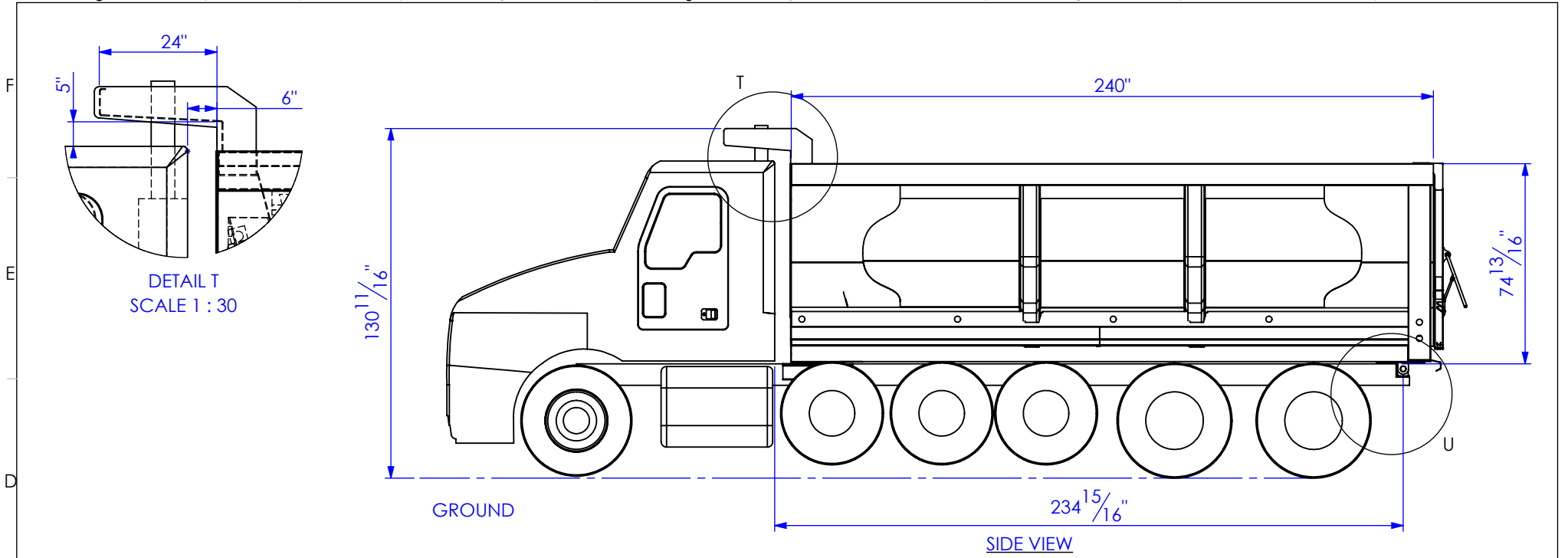


F
E
D
C
B
A



20FT - 68 SIDES
TOTAL VOLUME: 26 Yd3
TOTAL WEIGHT: 4,100 Lb +/-3%
(INCL, HOIST & BASE, REAR HINGE KIT, NO WET KIT)

	PROPRIETARY AND CONFIDENTIAL <small>THE INFORMATION CONTAINED IN THIS DRAWING IS THE SOLE PROPERTY OF WINK TRAILER LLC. ANY REPRODUCTION IN PART OR AS A WHOLE WITHOUT THE WRITTEN PERMISSION OF WINK TRAILER LLC IS PROHIBITED.</small> <small>COPYRIGHTS JIMMY WINK - WINK TRAILER</small>	LAST REVISION		DESIGNED	AF	REVISION	DIMENSIONS ARE IN (In) I.P.S.	SCALE: 1:40
		12/18/2016		INSPECTED	JW	0	PROJECT	AP 96W 20FT 68In Sides- 6 Axles Truck
		REV 1		AUTHORIZED	JW	DATE	ASSEMBLY DATASHEET - 6 Axles 96-20-68 Truck Body	PART: ISOMETRIC
						01/02/2018		



WINK	PROPRIETARY AND CONFIDENTIAL THE INFORMATION CONTAINED IN THIS DRAWING IS THE SOLE PROPERTY OF WINK TRAILER LLC. ANY REPRODUCTION IN PART OR AS A WHOLE WITHOUT THE WRITTEN PERMISSION OF WINK TRAILER LLC IS PROHIBITED. COPYRIGHTS JIMMY WINK - WINK TRAILER	LAST REVISION 12/18/2016		DESIGNED AF	REVISION 0	DIMENSIONS ARE IN (In) I.P.S.	SCALE: 1:55
	REV 1	THIRD ANGLE		INSPECTED JW		DATE 01/02/2018	PROJECT AP 96W 20FT 68In Sides- 6 Axles Truck
				AUTHORIZED JW		ASSEMBLY DATASHEET - 6 Axles 96-20-68 Truck Body	
						PART: DETAIL	Sheet: 2 of 2