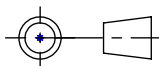
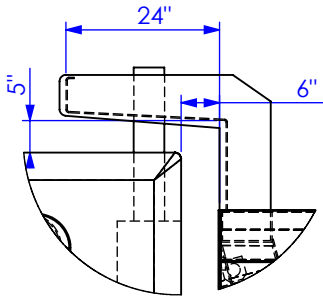
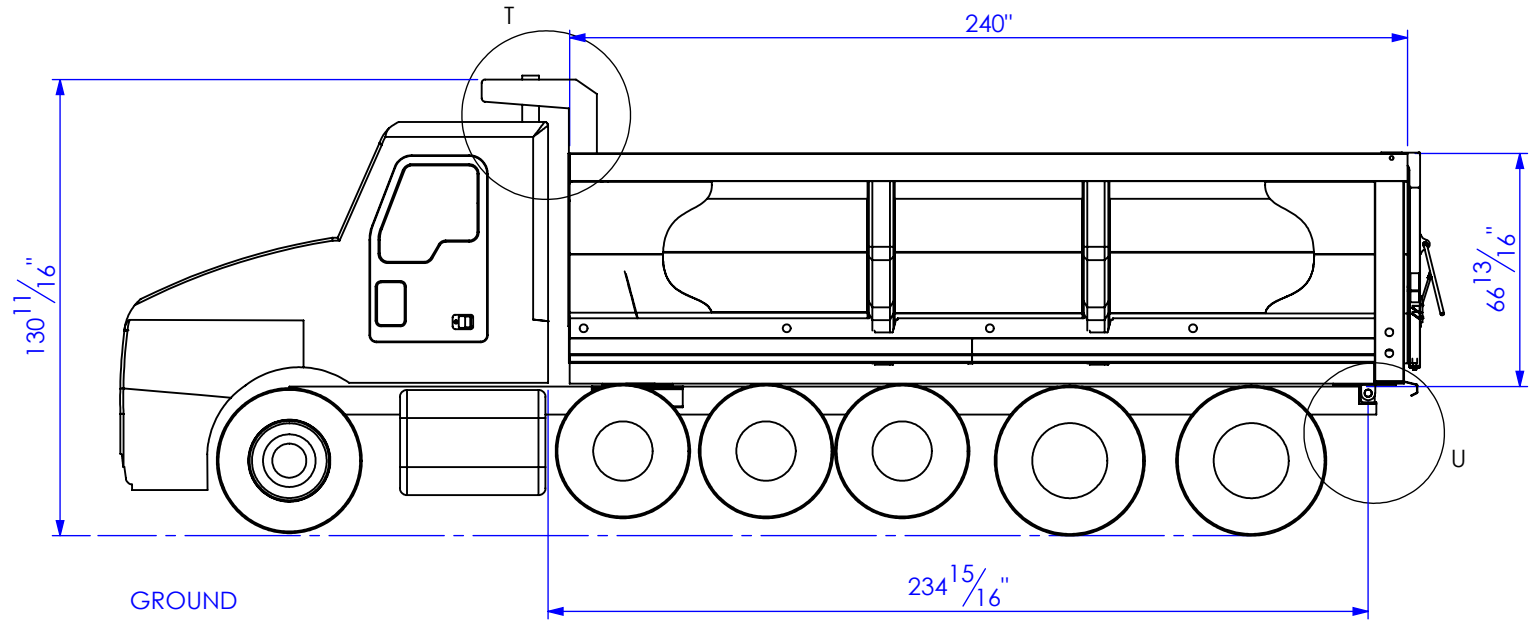


20FT - 60 SIDES
TOTAL VOLUME: 24 Yd3
ESTIMATED WEIGHT: 4,000 Lb +/-3%
(INCL, HOIST & BASE, REAR HINGE KIT, NO WET KIT)

| | | | | | | | |
|-------------|---|-----------------------------|---|-----------------|---------------|-------------------------------|--|
| WINK | PROPRIETARY AND CONFIDENTIAL THE INFORMATION CONTAINED IN THIS DRAWING IS THE SOLE PROPERTY OF WINK TRAILER LLC. ANY REPRODUCTION IN PART OR AS A WHOLE WITHOUT THE WRITTEN PERMISSION OF WINK TRAILER LLC IS PROHIBITED. COPYRIGHTS JIMMY WINK - WINK TRAILER | LAST REVISION 12/18/2016 |  | DESIGNED AF | REVISION 0 | DIMENSIONS ARE IN (In) I.P.S. | SCALE: 1:40 |
| | REV 1 | THIRD ANGLE | | INSPECTED JW | | DATE 01/02/2018 | PROJECT AP 96W 20FT 60In Sides- 6 Axles Truck |
| | REV 1 | THIRD ANGLE | AUTHORIZED JW | PART: ISOMETRIC | Sheet: 1 of 2 | | |
| | | | | | | | |

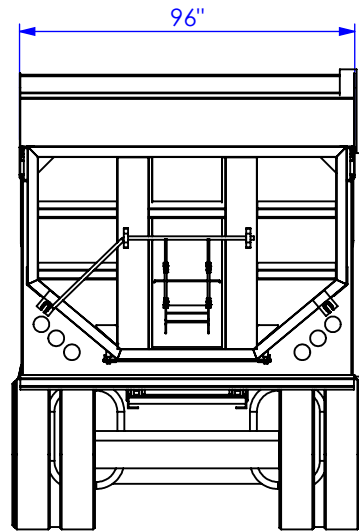


DETAIL T
SCALE 1 : 30

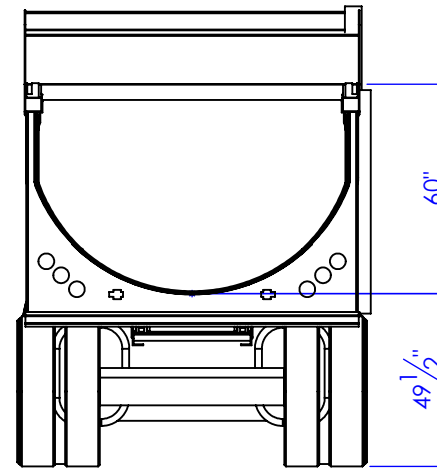


GROUND

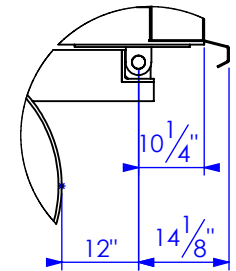
SIDE VIEW



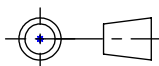
REAR VIEW



REAR VIEW - NO TAILGATE



DETAIL U
SCALE 1 : 30

| | | | | | | | |
|-------------|--|--|--|--|-------------------------------------|--|---------------|
| WINK | PROPRIETARY AND CONFIDENTIAL THE INFORMATION CONTAINED IN THIS DRAWING IS THE SOLE PROPERTY OF WINK TRAILER LLC. ANY REPRODUCTION IN PART OR AS A WHOLE WITHOUT THE WRITTEN PERMISSION OF WINK TRAILER LLC IS PROHIBITED. COPYRIGHTS JIMMY WINK - WINK TRAILER | LAST REVISION 12/18/2016 REV 1 |  THIRD ANGLE | DESIGNED AF INSPECTED JW AUTHORIZED JW | REVISION 0 DATE 01/02/2018 | DIMENSIONS ARE IN (In) I.P.S. SCALE: 1:55 PROJECT: AP 96W 20FT 60In Sides- 6 Axles Truck ASSEMBLY DATASHEET - 6 Axles 96-20-60 Truck Body PART: DETAIL | Sheet: 2 of 2 |
|-------------|--|--|--|--|-------------------------------------|--|---------------|