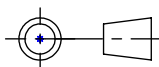
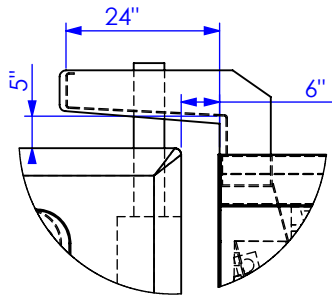
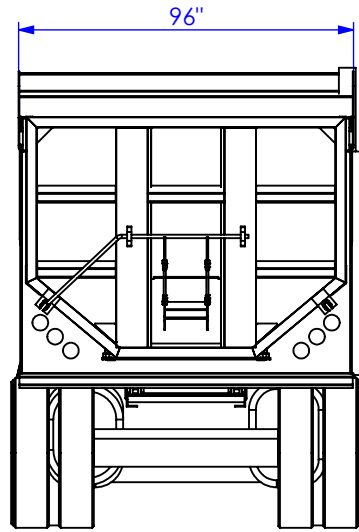
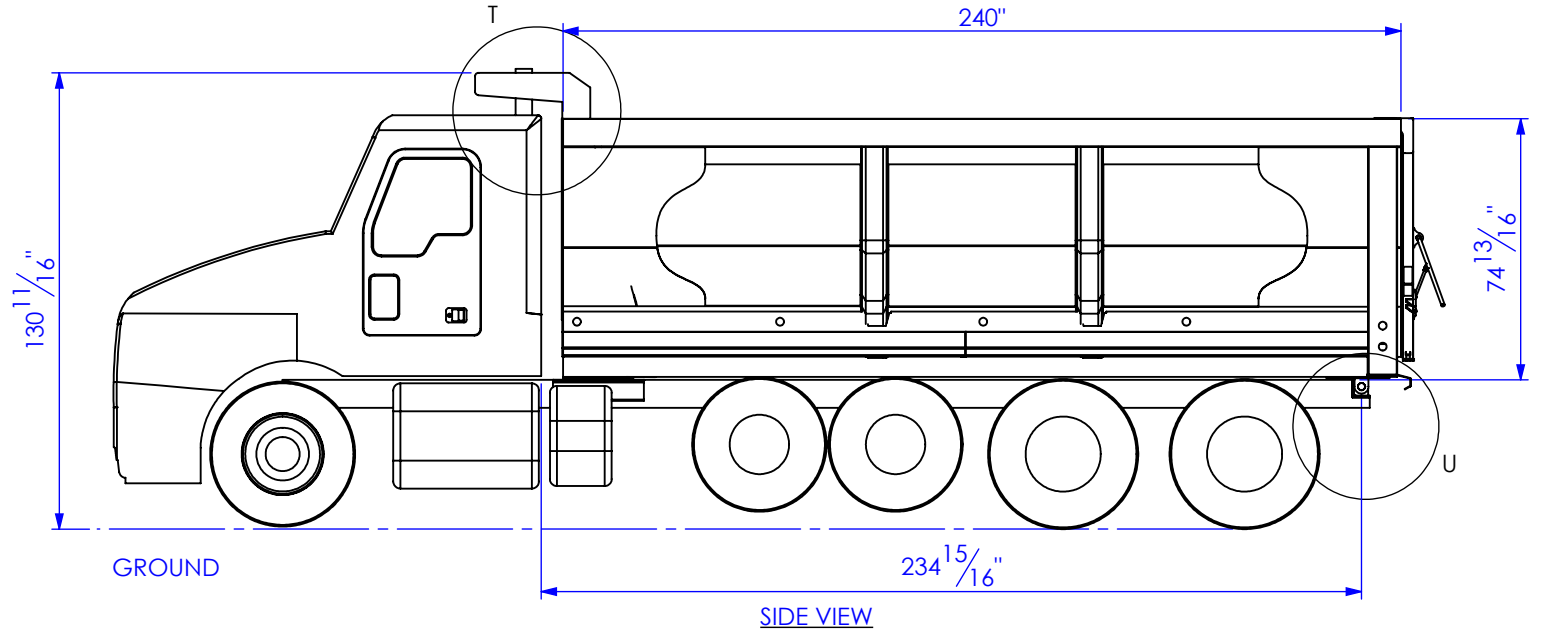


20FT - 68 SIDES
TOTAL VOLUME: 26 Yd³
ESTIMATED WEIGHT: 4,100 Lb +/-3%
(INCL, HOIST & BASE, REAR HINGE KIT, NO WET KIT)

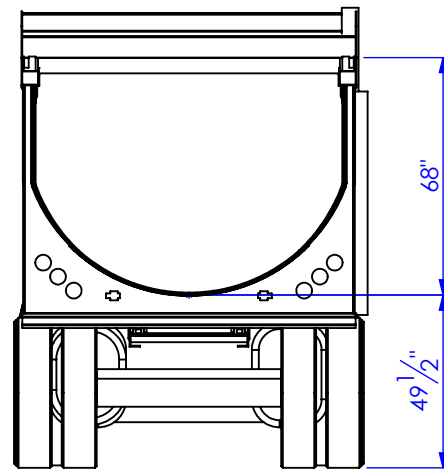
WINK	PROPRIETARY AND CONFIDENTIAL THE INFORMATION CONTAINED IN THIS DRAWING IS THE SOLE PROPERTY OF WINK TRAILER LLC. ANY REPRODUCTION IN PART OR AS A WHOLE WITHOUT THE WRITTEN PERMISSION OF WINK TRAILER LLC IS PROHIBITED. COPYRIGHTS JIMMY WINK - WINK TRAILER	LAST REVISION		DESIGNED AF	REVISION 0	DIMENSIONS ARE IN (In) I.P.S.	SCALE: 1:40
	12/18/2016	INSPECTED JW		PROJECT: AP 96W 20FT 68In Sides- 5 Axles Truck			
	REV 1	THIRD ANGLE	AUTHORIZED JW	DATE 01/02/2018	ASSEMBLY DATASHEET - 5 Axles 96-20-68 Truck Body		
					PART: ISOMETRIC	Sheet: 1 of 2	



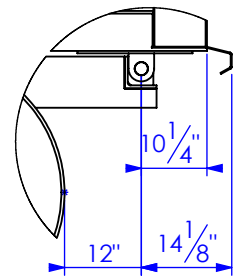
DETAIL T
SCALE 1 : 30



REAR VIEW



REAR VIEW - NO TAILGATE



DETAIL U
SCALE 1 : 30

WINK	PROPRIETARY AND CONFIDENTIAL THE INFORMATION CONTAINED IN THIS DRAWING IS THE SOLE PROPERTY OF WINK TRAILER LLC. ANY REPRODUCTION IN PART OR AS A WHOLE WITHOUT THE WRITTEN PERMISSION OF WINK TRAILER LLC IS PROHIBITED. COPYRIGHTS JIMMY WINK - WINK TRAILER	LAST REVISION 12/18/2016 REV 1	 THIRD ANGLE	DESIGNED AF INSPECTED JW AUTHORIZED JW	REVISION 0 DATE 01/02/2018	DIMENSIONS ARE IN (In) I.P.S. SCALE: 1:55 PROJECT: AP 96W 20FT 68In Sides- 5 Axles Truck ASSEMBLY DATASHEET - 5 Axles 96-20-68 Truck Body PART: DETAIL	Sheet: 2 of 2
-------------	--	--	-----------------	--	-------------------------------------	---	---------------