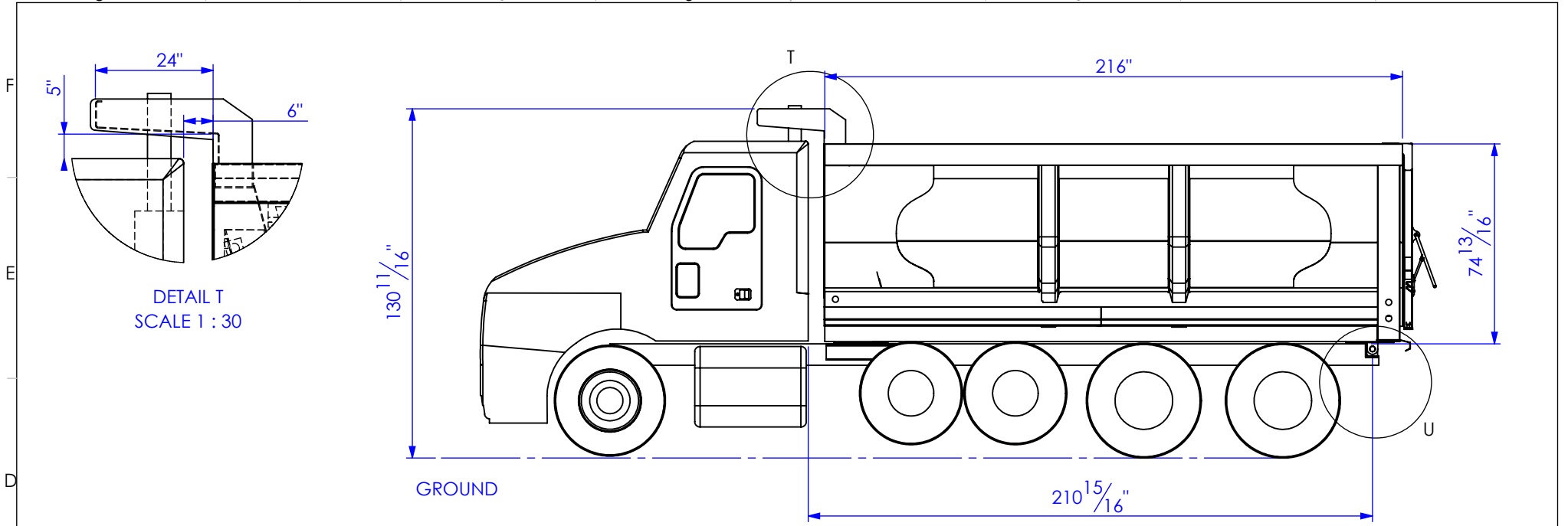


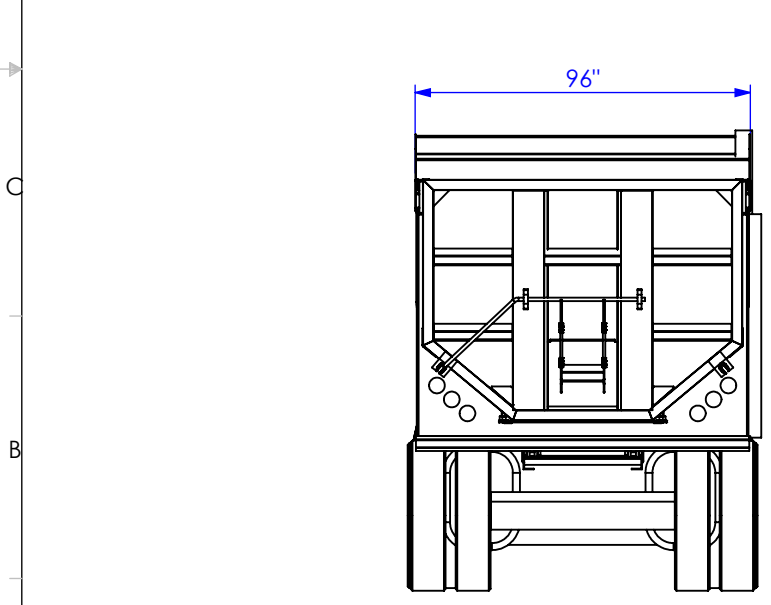
18FT - 68 SIDES
TOTAL VOLUME: 23.3 Yd3
ESTIMATED WEIGHT: 3,600 Lb +/-3%
(INCL, HOIST & BASE, REAR HINGE KIT, NO WET KIT)

WINK	PROPRIETARY AND CONFIDENTIAL THE INFORMATION CONTAINED IN THIS DRAWING IS THE SOLE PROPERTY OF WINK TRAILER LLC. ANY REPRODUCTION IN PART OR AS A WHOLE WITHOUT THE WRITTEN PERMISSION OF WINK TRAILER LLC IS PROHIBITED. COPYRIGHTS JIMMY WINK - WINK TRAILER	LAST REVISION 12/18/2016 REV 1	 THIRD ANGLE	DESIGNED AF INSPECTED JW AUTHORIZED JW	REVISION DATE 01/02/2018	DIMENSIONS ARE IN (In) I.P.S. SCALE: 1:40 PROJECT: ASSEMBLY DATASHEET - 5 Axles 96-18-68 Truck Body PART: ISOMETRIC	Sheet: 1 of 2
	PROJECT:						
	ASSEMBLY DATASHEET - 5 Axles 96-18-68 Truck Body						

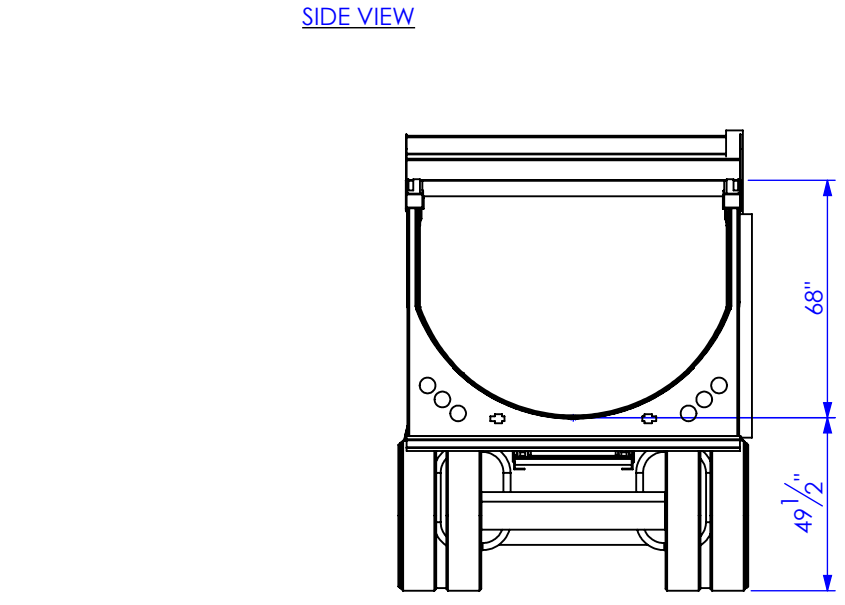


DETAIL T
SCALE 1 : 30

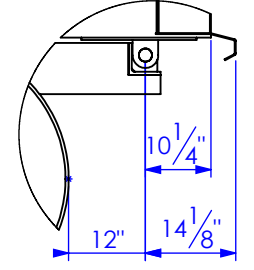
SIDE VIEW



REAR VIEW



REAR VIEW - NO TAILGATE



DETAIL U
SCALE 1 : 30

WINK	PROPRIETARY AND CONFIDENTIAL <small>THE INFORMATION CONTAINED IN THIS DRAWING IS THE SOLE PROPERTY OF WINK TRAILER LLC. ANY REPRODUCTION IN PART OR AS A WHOLE WITHOUT THE WRITTEN PERMISSION OF WINK TRAILER LLC IS PROHIBITED. COPYRIGHTS JIMMY WINK - WINK TRAILER</small>		LAST REVISION			DESIGNED	AF	REVISION	DIMENSIONS ARE IN (In) I.P.S.		SCALE: 1:55
			12/18/2016			INSPECTED	JW		PROJECT:		
			REV 1		THIRD ANGLE		AUTHORIZED	JW	DATE	ASSEMBLY DATASHEET - 5 Axles 96-18-68 Truck Body	
									01/02/2018	PART: DETAIL	