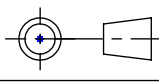
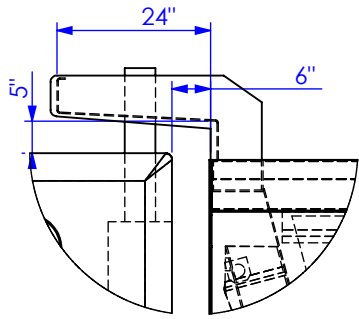
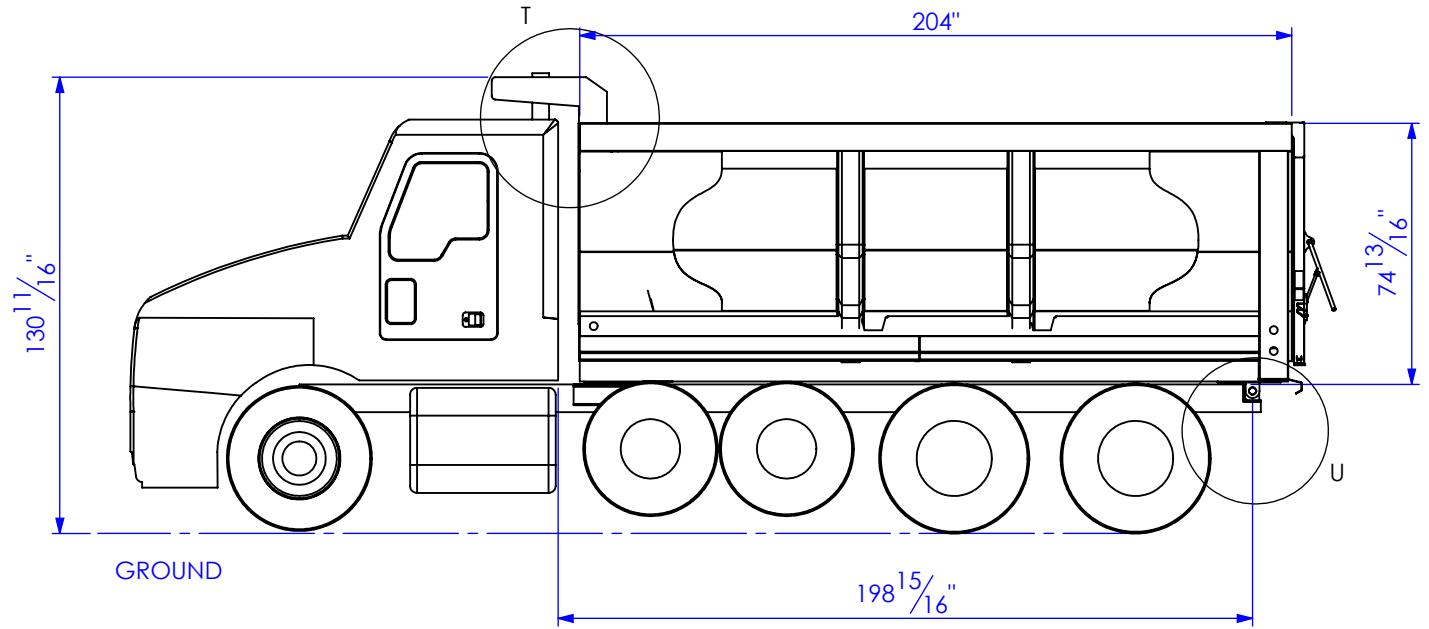


17FT - 68 SIDES
TOTAL VOLUME: 22.5 Yd3
ESTIMATED WEIGHT: 3,500 Lb +/-3%
(INCL, HOIST & BASE, REAR HINGE KIT, NO WET KIT)

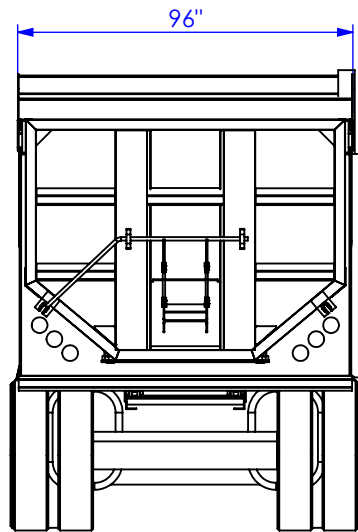
WINK	PROPRIETARY AND CONFIDENTIAL THE INFORMATION CONTAINED IN THIS DRAWING IS THE SOLE PROPERTY OF WINK TRAILER LLC. ANY REPRODUCTION IN PART OR AS A WHOLE WITHOUT THE WRITTEN PERMISSION OF WINK TRAILER LLC IS PROHIBITED. COPYRIGHTS JIMMY WINK - WINK TRAILER	LAST REVISION 12/18/2016 REV 1	 THIRD ANGLE	DESIGNED AF INSPECTED JW AUTHORIZED JW	REVISION 0 DATE 01/02/2018	DIMENSIONS ARE IN (In) I.P.S. SCALE: 1:40 PROJECT: AP 96W 17FT 68In Sides- 4 Axles Truck ASSEMBLY DATASHEET - 5 Axles 96-17-68 Truck Body PART: ISOMETRIC
						Sheet: 1 of 2



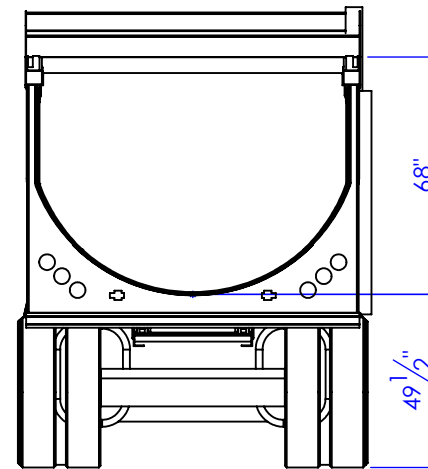
DETAIL T
SCALE 1 : 30



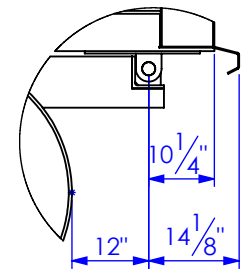
SIDE VIEW



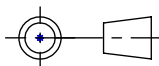
REAR VIEW



REAR VIEW - NO TAILGATE



DETAIL U
SCALE 1 : 30

WINK	PROPRIETARY AND CONFIDENTIAL THE INFORMATION CONTAINED IN THIS DRAWING IS THE SOLE PROPERTY OF WINK TRAILER LLC. ANY REPRODUCTION IN PART OR AS A WHOLE WITHOUT THE WRITTEN PERMISSION OF WINK TRAILER LLC IS PROHIBITED. COPYRIGHTS JIMMY WINK - WINK TRAILER		LAST REVISION 12/18/2016 REV 1		 THIRD ANGLE	DESIGNED AF INSPECTED JW AUTHORIZED JW	REVISION 0 DATE 01/02/2018	DIMENSIONS ARE IN (In) I.P.S. SCALE: 1:55 PROJECT: AP 96W 17FT 68In Sides- 4 Axles Truck ASSEMBLY DATASHEET - 5 Axles 96-17-68 Truck Body PART: DETAIL	Sheet: 2 of 2
-------------	---	--	--------------------------------------	--	--	--	-------------------------------	--	---------------