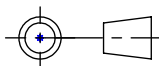
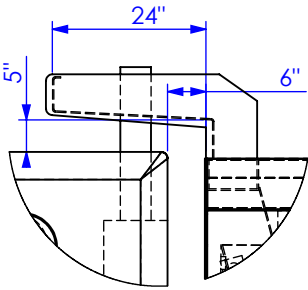
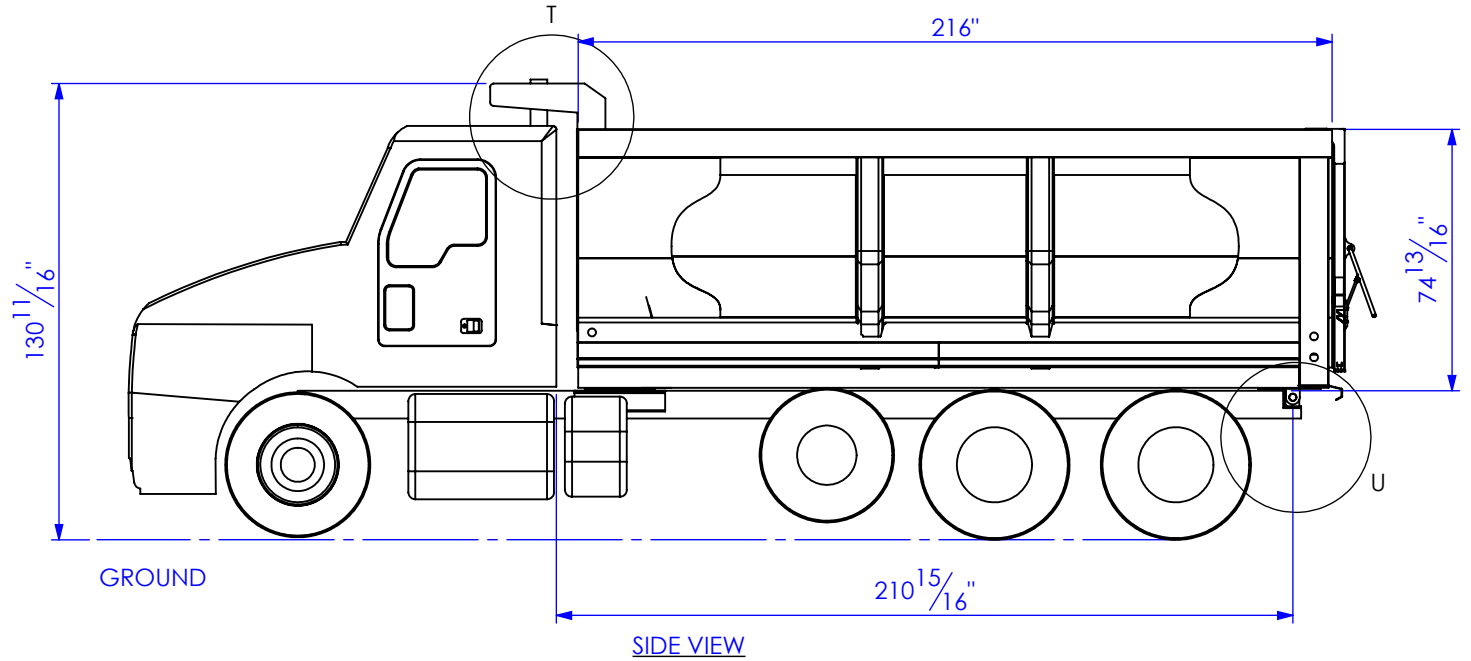


18FT - 68 SIDES
TOTAL VOLUME: 23.3 Yd3
ESTIMATED WEIGHT: 3,600 Lb +/-3%
(INCL, HOIST & BASE, REAR HINGE KIT, NO WET KIT)

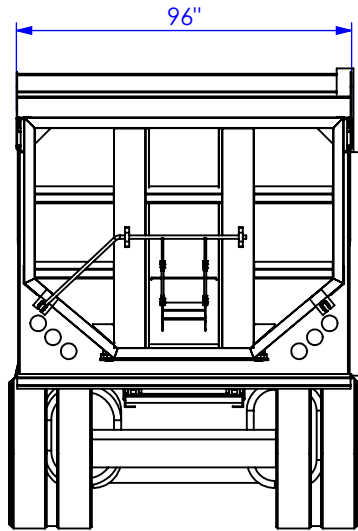
WINK	PROPRIETARY AND CONFIDENTIAL <small>THE INFORMATION CONTAINED IN THIS DRAWING IS THE SOLE PROPERTY OF WINK TRAILER LLC. ANY REPRODUCTION IN PART OR AS A WHOLE WITHOUT THE WRITTEN PERMISSION OF WINK TRAILER LLC IS PROHIBITED. COPYRIGHTS JIMMY WINK - WINK TRAILER</small>		LAST REVISION	 THIRD ANGLE	DESIGNED AF	REVISION	DIMENSIONS ARE IN (In) I.P.S.	SCALE: 1:40
			12/18/2016		INSPECTED JW	0	PROJECT: AP 96W 18FT 68In Sides- 4 Axles Truck	
			REV 1		AUTHORIZED JW	DATE 01/02/2018	ASSEMBLY DATASHEET - 4 Axles 96-18-68 Truck Body	
							PART: ISOMETRIC	Sheet: 1 of 2



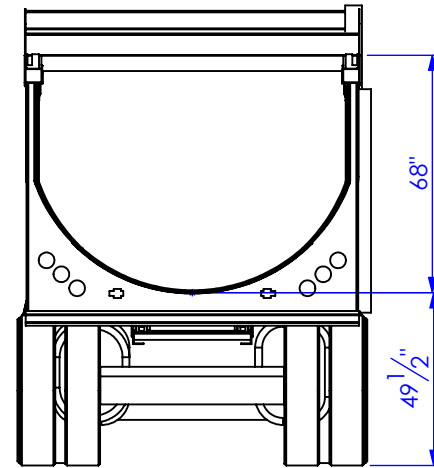
DETAIL T
SCALE 1 : 30



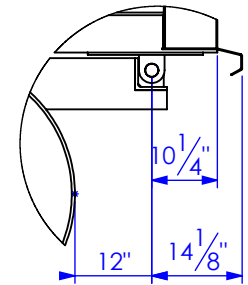
SIDE VIEW



REAR VIEW



REAR VIEW - NO TAILGATE



DETAIL U
SCALE 1 : 30

WINK	PROPRIETARY AND CONFIDENTIAL THE INFORMATION CONTAINED IN THIS DRAWING IS THE SOLE PROPERTY OF WINK TRAILER LLC. ANY REPRODUCTION IN PART OR AS A WHOLE WITHOUT THE WRITTEN PERMISSION OF WINK TRAILER LLC IS PROHIBITED. COPYRIGHTS JIMMY WINK - WINK TRAILER		LAST REVISION	 THIRD ANGLE	DESIGNED AF INSPECTED JW AUTHORIZED JW	REVISION 0 DATE 01/02/2018	DIMENSIONS ARE IN (In) I.P.S. SCALE: 1:55
	PROJECT AP 96W 18FT 68In Sides- 4 Axles Truck						ASSEMBLY DATASHEET - 4 Axles 96-18-68 Truck Body
	REV 1						PART: DETAIL
	Sheet: 2 of 2						