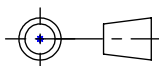
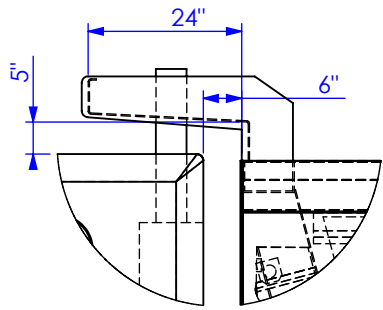
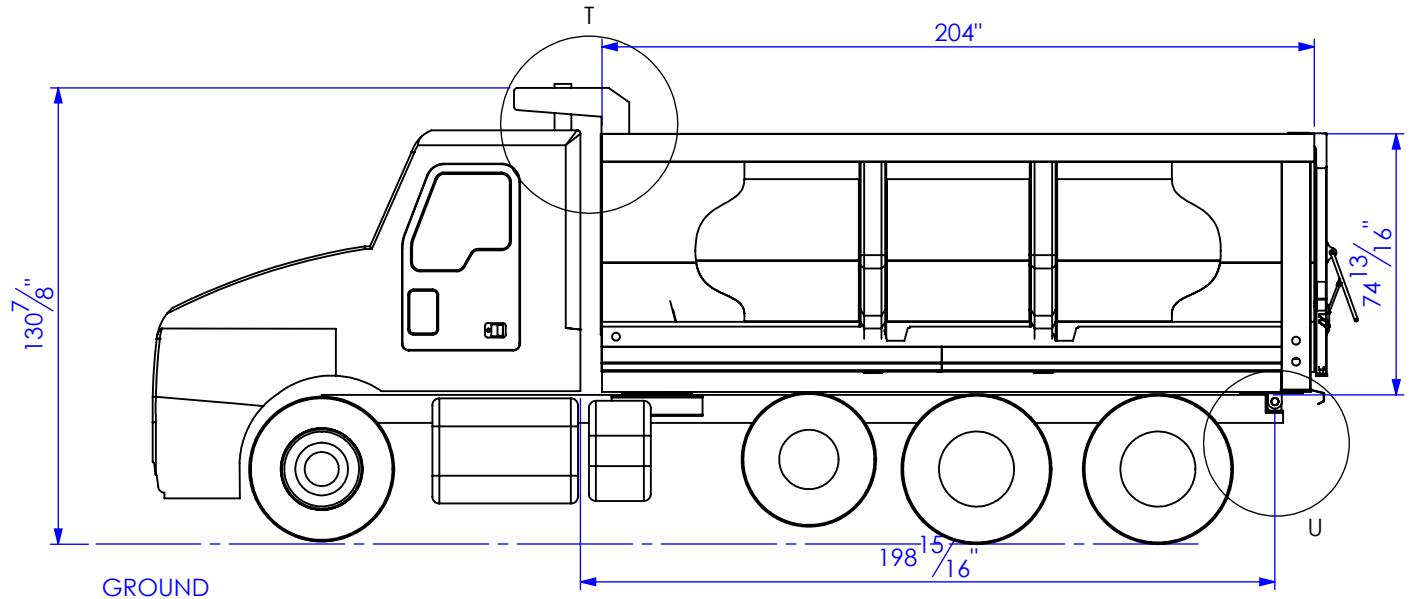


**17FT - 68 SIDES**  
**TOTAL VOLUME: 22.5 Yd3**  
**ESTIMATED WEIGHT: 3,500 Lb +/-3%**  
**(INCL, HOIST & BASE, REAR HINGE KIT, NO WET KIT)**

<b>WINK</b>	<b>PROPRIETARY AND CONFIDENTIAL</b> THE INFORMATION CONTAINED IN THIS DRAWING IS THE SOLE PROPERTY OF WINK TRAILER LLC. ANY REPRODUCTION IN PART OR AS A WHOLE WITHOUT THE WRITTEN PERMISSION OF WINK TRAILER LLC IS PROHIBITED. COPYRIGHTS JIMMY WINK - WINK TRAILER	LAST REVISION		DESIGNED AF	REVISION 0	DIMENSIONS ARE IN (In) I.P.S.      SCALE: 1:40
	12/18/2016	INSPECTED JW		PROJECT AP 96W 17FT 68In Sides- 4 Axles Truck		
	REV 1	THIRD ANGLE	AUTHORIZED JW	DATE 01/02/2018	ASSEMBLY DATASHEET - 4 Axles 96-17-68 Truck Body	
						<b>PART: ISOMETRIC</b>

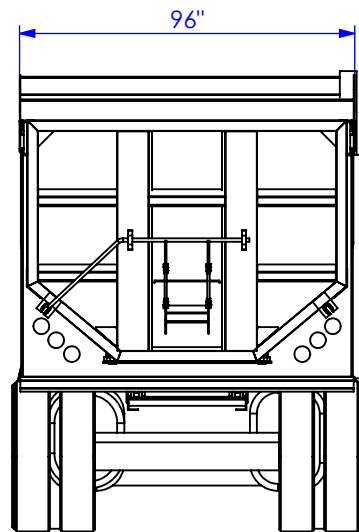


DETAIL T  
SCALE 1 : 30

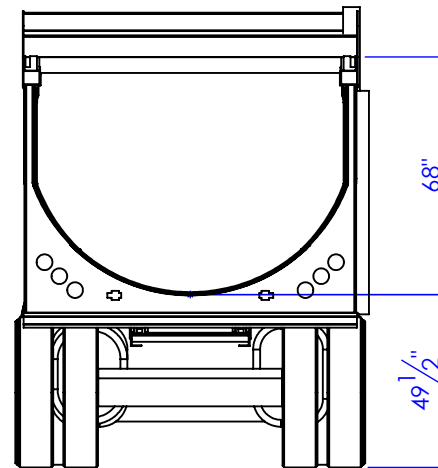


GROUND

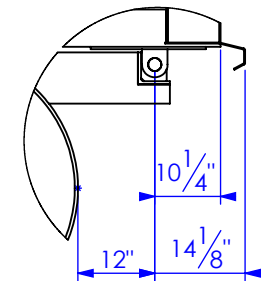
SIDE VIEW



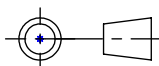
REAR VIEW



REAR VIEW - NO TAILGATE



DETAIL U  
SCALE 1 : 30

<b>WINK</b>	PROPRIETARY AND CONFIDENTIAL THE INFORMATION CONTAINED IN THIS DRAWING IS THE SOLE PROPERTY OF WINK TRAILER LLC. ANY REPRODUCTION IN PART OR AS A WHOLE WITHOUT THE WRITTEN PERMISSION OF WINK TRAILER LLC IS PROHIBITED. COPYRIGHTS JIMMY WINK - WINK TRAILER	LAST REVISION  12/18/2016  REV 1	 THIRD ANGLE	DESIGNED AF INSPECTED JW AUTHORIZED JW	REVISION 0 DATE 01/02/2018	DIMENSIONS ARE IN (In) I.P.S. SCALE: 1:55 PROJECT AP 96W 17FT 68In Sides- 4 Axles Truck ASSEMBLY DATASHEET - 4 Axles 96-17-68 Truck Body PART: DETAIL	Sheet: 2 of 2
-------------	----------------------------------------------------------------------------------------------------------------------------------------------------------------------------------------------------------------------------------------------------------------------------------	----------------------------------------------	------------------------------------------------------------------------------------------------------	----------------------------------------------	-------------------------------------	-------------------------------------------------------------------------------------------------------------------------------------------------------------------	---------------