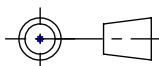
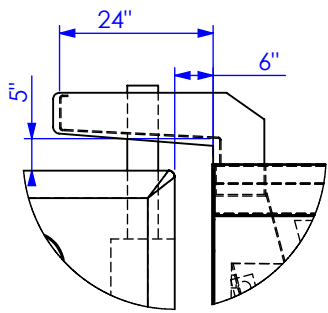
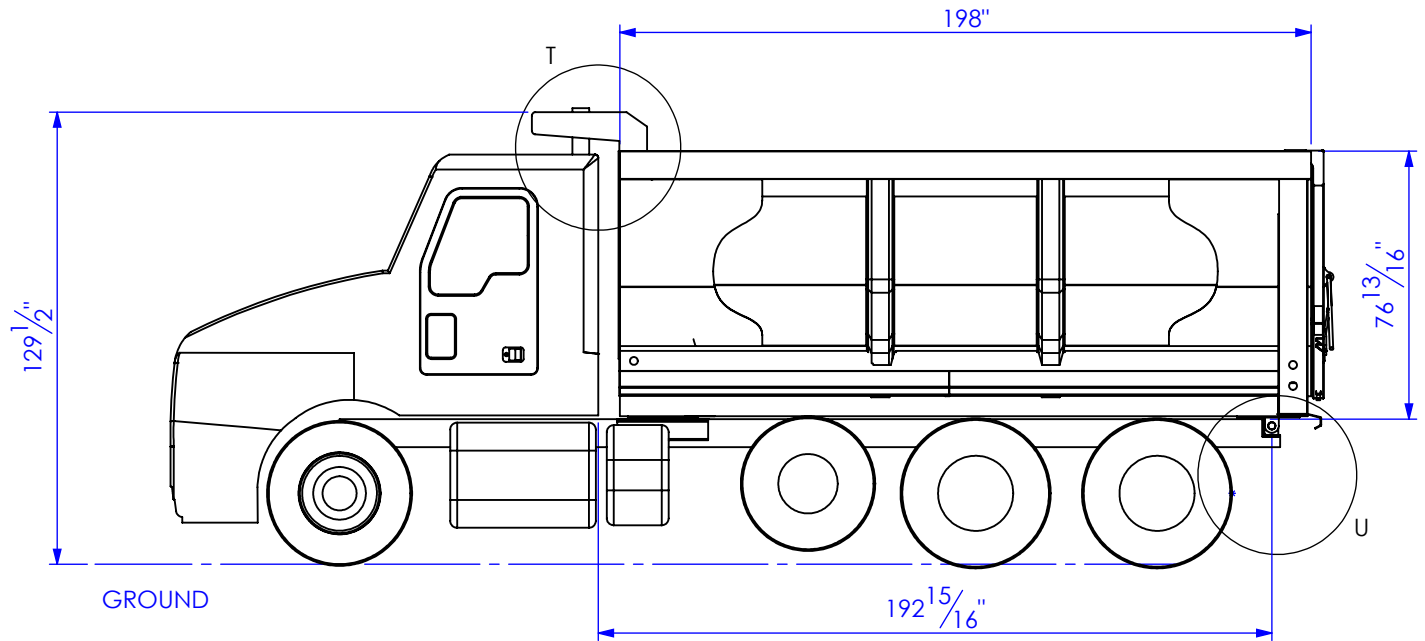


**16.5FT - 70" SIDES**  
**TOTAL VOLUME: 22 Yd3**  
**ESTIMATED WEIGHT: 3,450 Lb +/-3%**  
**(INLC, HOIST & BASE, REAR HINGE KIT, NO WET KIT)**

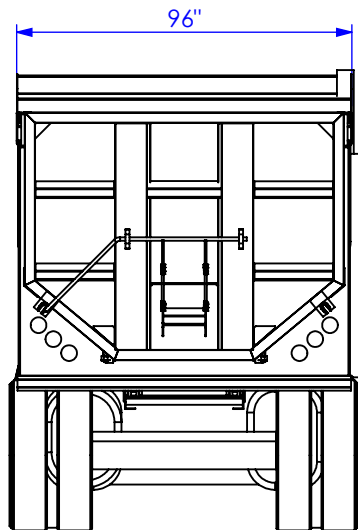
<b>WINK</b>	<b>PROPRIETARY AND CONFIDENTIAL</b> THE INFORMATION CONTAINED IN THIS DRAWING IS THE SOLE PROPERTY OF WINK TRAILER LLC. ANY REPRODUCTION IN PART OR AS A WHOLE WITHOUT THE WRITTEN PERMISSION OF WINK TRAILER LLC IS PROHIBITED. COPYRIGHTS JIMMY WINK - WINK TRAILER	LAST REVISION 12/18/2016 REV 1	 THIRD ANGLE	DESIGNED AF INSPECTED JW AUTHORIZED JW	REVISION 0 DATE 11/02/2018	DIMENSIONS ARE IN (In) I.P.S. SCALE: 1:40 PROJECT: AP 96W 16.5FT 70In Sides- 4 Axles Truck ASSEMBLY: AP 96W 16.5FT 70In Sides- 4 Axles Truck Body PART: ISOMETRIC	Sheet: 1 of 2



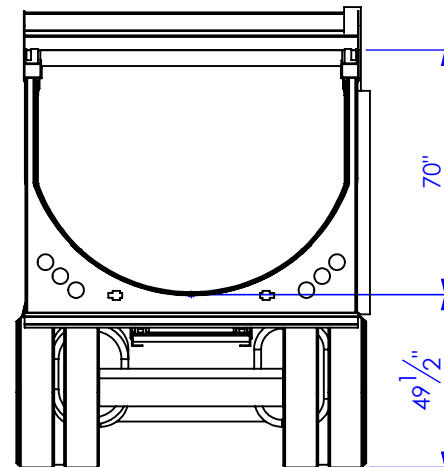
DETAIL T  
SCALE 1 : 30



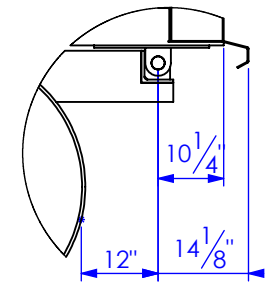
SIDE VIEW



REAR VIEW



REAR VIEW - NO TAILGATE



DETAIL U  
SCALE 1 : 30

<b>WINK</b>	PROPRIETARY AND CONFIDENTIAL THE INFORMATION CONTAINED IN THIS DRAWING IS THE SOLE PROPERTY OF WINK TRAILER LLC. ANY REPRODUCTION IN PART OR AS A WHOLE WITHOUT THE WRITTEN PERMISSION OF WINK TRAILER LLC IS PROHIBITED. COPYRIGHTS JIMMY WINK - WINK TRAILER	LAST REVISION 12/18/2016		DESIGNED AF INSPECTED JW AUTHORIZED JW	REVISION 0 DATE 11/02/2018	DIMENSIONS ARE IN (In) I.P.S. SCALE: 1:55 PROJECT: AP 96W 16.5FT 70In Sides- 4 Axles Truck ASSEMBLY: PART: DETAIL	Sheet: 2 of 2
		REV 1	THIRD ANGLE				