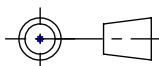
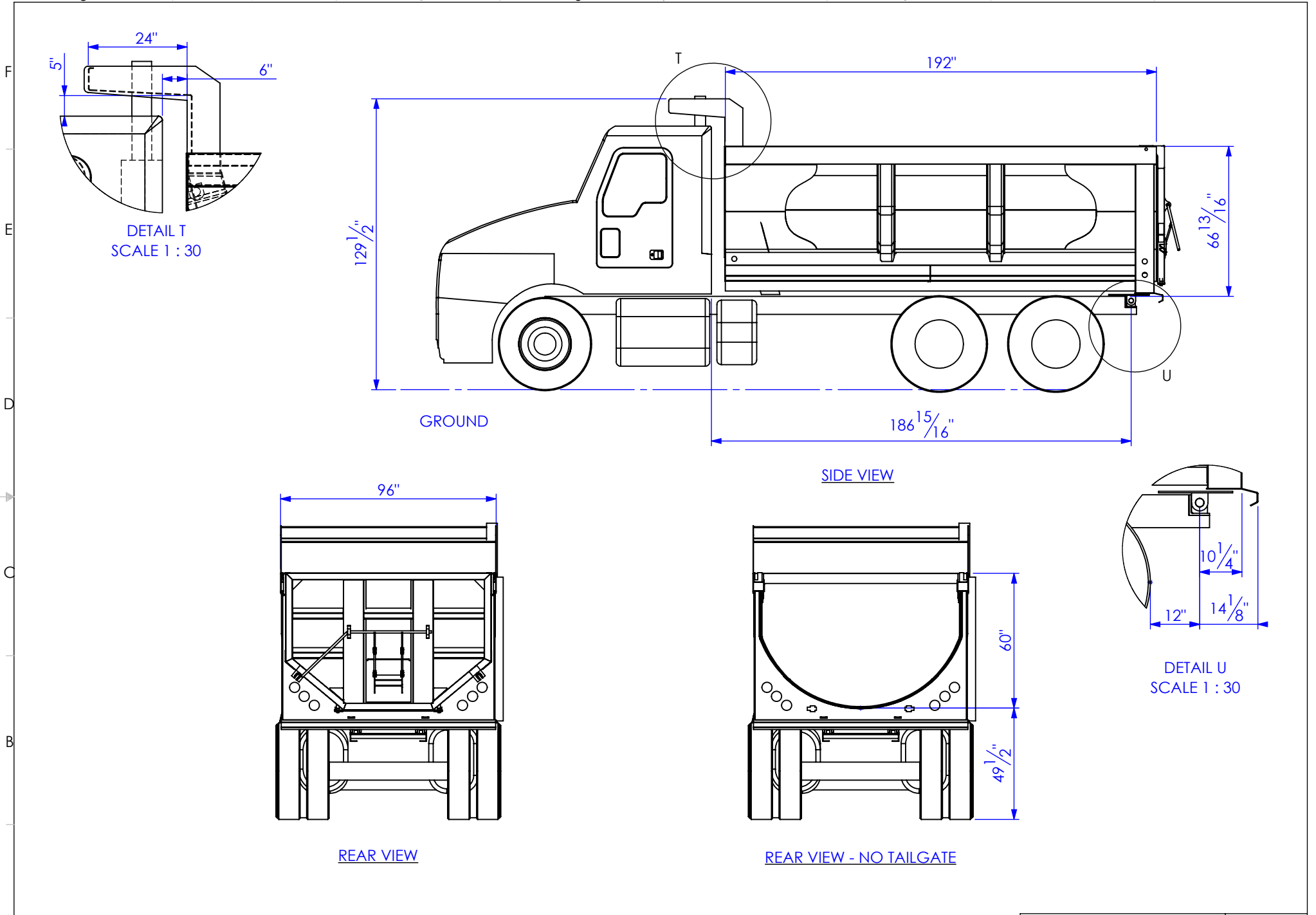


**16FT - 60 SIDES**  
**TOTAL VOLUME: 19 Yd3**  
**ESTIMATED WEIGHT: 3,300 Lb**  
**(INCL, HOIST & BASE, REAR HINGE KIT, NO WET KIT)**

<b>WINK</b>	<b>PROPRIETARY AND CONFIDENTIAL</b> THE INFORMATION CONTAINED IN THIS DRAWING IS THE SOLE PROPERTY OF WINK TRAILER LLC. ANY REPRODUCTION IN PART OR AS A WHOLE WITHOUT THE WRITTEN PERMISSION OF WINK TRAILER LLC IS PROHIBITED. COPYRIGHTS JIMMY WINK - WINK TRAILER		LAST REVISION	 THIRD ANGLE	DESIGNED AF	REVISION 0	DIMENSIONS ARE IN (In) I.P.S.	SCALE: 1:40	
			12/18/2016		INSPECTED JW		<i>PROJECT:</i> AP 96W 16FT 60In Sides- 3 Axles Truck		
			REV 1	AUTHORIZED JW	DATE 11/02/2018		<i>ASSEMBLY DATASHEET</i> - 3 Axles 96-16-60 Truck Body		
							<i>PART: ISOMETRIC</i>		Sheet: 1 of 2



<b>WINK</b>	<b>PROPRIETARY AND CONFIDENTIAL</b> <small>THE INFORMATION CONTAINED IN THIS DRAWING IS THE SOLE PROPERTY OF WINK TRAILER LLC. ANY REPRODUCTION IN PART OR AS A WHOLE WITHOUT THE WRITTEN PERMISSION OF WINK TRAILER LLC IS PROHIBITED. COPYRIGHTS JIMMY WINK - WINK TRAILER</small>		LAST REVISION			DESIGNED	AF	REVISION 0	DIMENSIONS ARE IN (In) I.P.S.		SCALE: 1:55
	12/18/2016		INSPECTED	JW		PROJECT AP 96W 16FT 60In Sides- 3 Axles Truck			ASSEMBLY DATASHEET - 3 Axles 96-16-60 Truck Body		Sheet: 2 of 2
	REV 1		THIRD ANGLE		AUTHORIZED	JW	DATE	11/02/2018	PART: DETAIL		